



BUDAPEST UNIVERSITY OF TECHNOLOGY AND ECONOMICS
Department of Organic Chemistry and Technology

REPORT

Budapest, 28.02.2007

Subject: Flammability test results for the Kompozitor Kft.

The Organic Chemistry and Technology Department of Budapest University of Technology and Economics carried out UL 94 (Underwriters Laboratories Inc., www.ul.com) according to ANSI//ASTM D-635/77 standard. The results, as an average of 5 measurements, is as follows:

The flame retardancy of the three different samples was investigated by the UL 94 standard (Underwriters Laboratories Inc., www.ul.com).

Sample	Ignition		UL 94 class
	horizontal	vertical	
Y (yellow)	Test bars did not ignite after a 30-second application of a flame.	Test bars did not ignite after two applications of 10 seconds each of a flame. There were no flaming drips.	V-0
H	Test bars did not ignite after a 30-second application of a flame.	Test bars did not ignite after two applications of 10 seconds each of a flame. There were no flaming drips.	V-0
E	Test bars did not ignite after a 30-second application of a flame.	Test bars did not ignite after two applications of 10 seconds each of a flame. There were no flaming drips.	V-0

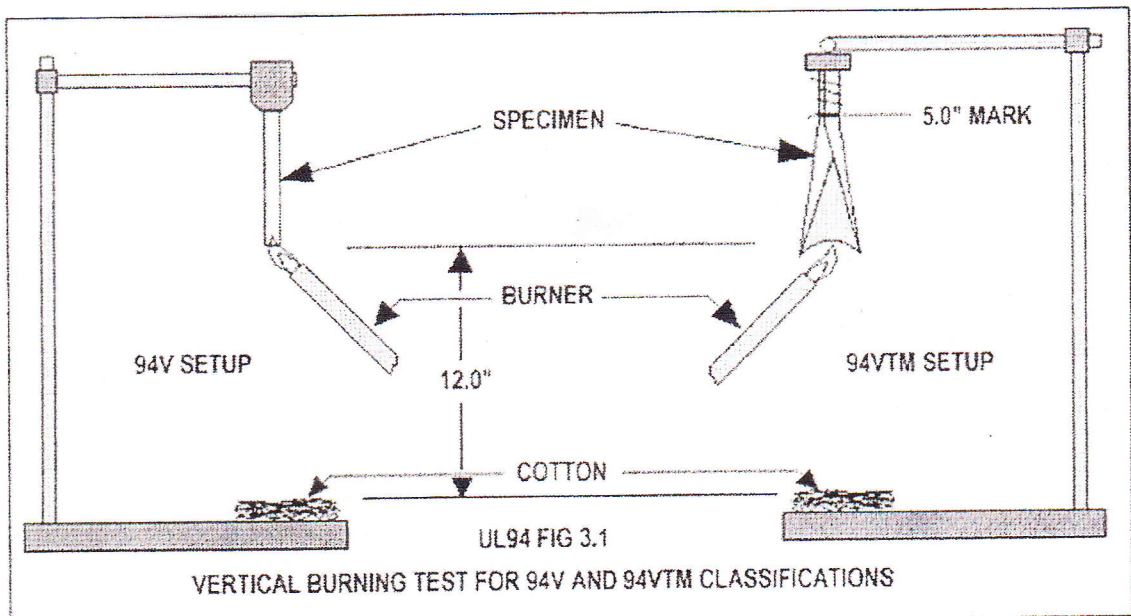
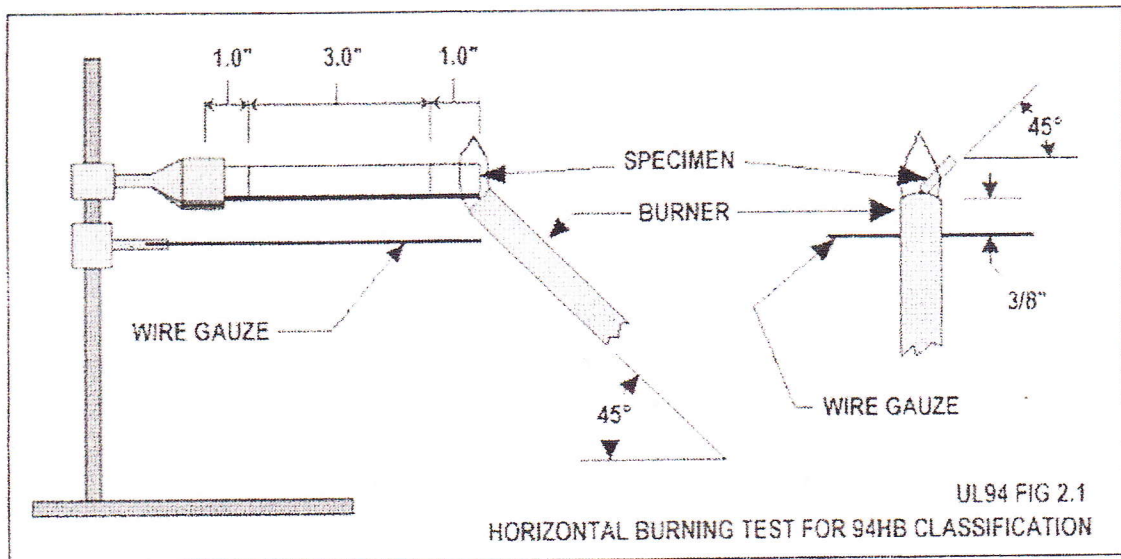


[Signature]
Prof. György J. Marosi

Appendix

UL 94 Ratings Summary

V-0 Vertical Burn	Burning stops within 10 seconds after two applications of ten seconds each of a flame to a test bar. NO flaming drips are allowed.
V-1 Vertical Burn	Burning stops within 60 seconds after two applications of ten seconds each of a flame to a test bar. NO flaming drips are allowed.
V-2 Vertical Burn	Burning stops within 60 seconds after two applications of ten seconds each of a flame to a test bar. Flaming drips ARE allowed.
H-B Horizontal Burn	Slow horizontal burning on a 3mm thick specimen with a burning rate is less than 3"/min or stops burning before the 5" mark. H-B rated materials are considered "self-extinguishing". This is the lowest (least flame retardant) UL94 rating.





KOMPOZITOR MŰANYAGIPARI FEJLESZTŐ Kft.
PLASTICS DEVELOPING Co.Ltd.

H-1147 Budapest, Gyarmat u. 71. T: (36-1) 468-2030, 273-2500, F: 468-2031

ELENCA SRL

Flammability test results

Made on 28.02.2007.

Marks on the test samples:

„Y” FuranFlex L with color yellow

„H” Normal FuranFlex

„E” FuranFlex (new generation, its production started in a short time)

All three types are not inflammable and they don't burn according to the ANSI/ASTM D-635/77 standard.

Géza Kecskeméthy man.dir.